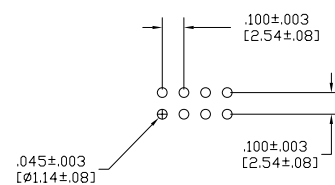
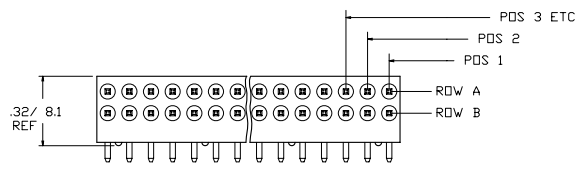


PRODUCT NO.  
SEE TABLE

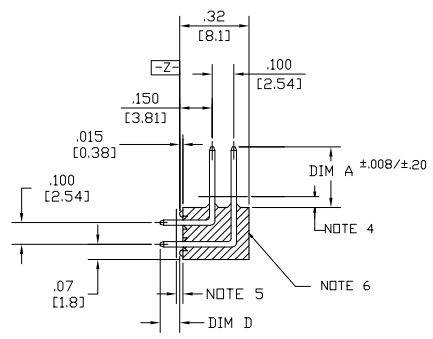
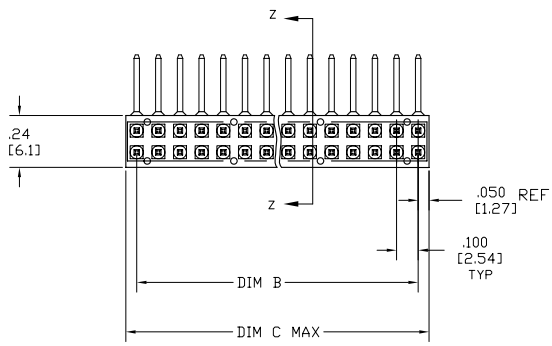
Tous droits strictement reserves. Reproduction ou communication a des tiers interdite sous quelque forme que ce soit sans autorisation ecrite du proprietaire. Propriete de c FCI. Droits de reproduction FCI.



All rights strictly reserved. Reproduction or issue to third parties in any form whatever is not permitted without written authority from the proprietor. Property of FCI. Copyright FCI.



RECOMMENDED HOLE PATTERN



SECTION Z-Z

- NOTES:
1. TERMINAL MAT'L: 3/4 HARD PHOS BRONZE ALLOY, UNS-C51000.
  2. TERMINAL PLATING: SEE CHART OPTIONS ARE, .15u"/.38u, .30u"/.076u OR 50u"/1.27u Au OVER 30u"/Ni OR 150u"/3.81u 93/7 SnPb.
  3. MOLDING MAT'L OPTIONS (SEE CHART FOR DISTINCTIONS); 20% MIN GLASS FILLED POLYESTER, FLAME RETARDANT PER UL-94 V-0, COLOR-BLACK OR 20% MIN GLASS FILLED NYLON, FLAME RETARDANT PER UL94V-0, COLOR BLACK. THIS PRODUCT WILL WITHSTAND EXPOSURE TO 260°C TEMPERATURE FOR 15 SECONDS IN A WAVE SOLDER APPLICATION WITH A .06 [1.5mm] THICK PCB.
  4. .05/1.27 MAX HIGH FLASH.
  5. .03/.76 MAX FLASH
  6. FCI LOGO AND PART NO ON THIS SURFACE WHEN POSSIBLE.
  7. FOR POLARIZATION, TERMINAL MAY BE REMOVED BEFORE MOLDING OR CUT OFF AFTERWARDS. MAX PROTRUSTION .010/.25 MAX BEYOND PLASTIC.
  8. TWO SIDES OF LEAD-IN ON PINS NOT PLATED. TYP BOTH ENDS.
  9. \*GXT\* Pd/Ni PLATED PRODUCT HAS GOLD FLASH.
  10. POLARIZED SPECIAL MUST HAVE PINS CUT OFF AFTER MOLDING. FLUSH TO PLASTIC ON "A" DIM SIDE OF HEADER.
  11. ADD SUFFIX LF AT THE END OF PART NUMBER FOR LEAD FREE OPTION.
  12. THIS PRODUCT MEETS EUROPEAN UNION DIRECTIVES AND OTHER COUNTRY REGULATIONS AS DESCRIBED IN GS-22-008.
  13. THIS PRODUCT MAY HAVE 100% TIN PLATING IN THE INTERFACE AND HAS NOT BEEN TESTED FOR WHISKER GROWTH IN INTERCONNECT ENVIRONMENTS.

mat'l. code				tolerances unless otherwise specified				CUSTOMER COPY		 www.fciconnect.com	
ltr	ecn no	dr	date	linear	.XX±.01/.XX±.3		projection		title		
K	?????	LWP	6-29-89		.XXX±.005/.XX±.13				SHIELDLESS RIGHT ANGLE HEADER		
L	?????	MDF	7-7-89		.XXX±.0020/.XXX±.051				product family HEADERS		
M	V03-0413	GJP	4-14-03	angles	0° ±2'		INCH/MM		code 213		
N	V05-0891	DAI	10/10/05	dr	M CLOUSER	8-17-87	scale 1:1		sheet 1 of 3		
				enrg	R FROST	8-17-87					
				chr	R FROST	8-17-87					
				appd	R FROST	8-17-87					
sheet index	revision sheet	N 1	N 2	N 3					cage code 22526		

Tous droits strictement reserves. Reproduction ou communication a des tiers interdite sous quelque forme que ce soit sans autorisation ecrite du proprietaire. Propriete de c FCI. Droits de reproduction FCI.

All rights strictly reserved. Reproduction or issue to third parties in any form whatever is not permitted without written authority from the proprietor. Property of FCI. Copyright FCI.

**FCI**

PRODUCT NO.	SIZE	DIM A	DIM B	DIM C	DIM D	MOLD MAT'L NOTE 3	POLARIZED NOTE 7	TERMINAL PLATING NOTE 2	POLARIZED SPECIAL NOTE 10	LF OPTION
65820-001	2x36	.230/5.84	3.500/88.90	3.615/91.82	.09/2.29	POLYESTER	NO	30u" / .76u Au	NO	
-002	2x36	.280/7.11	3.500/88.90	3.615/91.82						
-003	2x20	.230/5.84	1.900/48.26	2.015/51.18						
-004	2x20	.280/7.11	1.900/48.26	2.015/51.18						
-005	2x17	.230/5.84	1.600/40.64	1.715/43.56						
-006	2x17	.280/7.11	1.600/40.64	1.715/43.56						
-007	2x14	.230/5.84	1.300/33.02	1.415/35.94						
-008	2x14	.280/7.11	1.300/33.02	1.415/35.94						
-009	2x10	.230/5.84	.900/22.86	1.015/25.78						
-010	2x10	.280/7.11	.900/22.86	1.015/25.78						
-011	2x5	.230/5.84	.400/10.160	.515/13.08						
-012	2x5	.280/7.11	.400/10.160	.515/13.08						
-013	2x13	.230/5.84	1.200/30.48	1.315/33.40		POLYESTER	NO	30u" / .76u Au		
-014	2x13	.230/5.84	1.200/30.48	1.315/33.40		NYLON	B-13	50u" / 1.27u Au		
-015	2x13	.230/5.84	1.200/30.48	1.315/33.40		NYLON	A-1	50u" / 1.27u Au		NOTE 11
-016	2x20	.280/7.11	1.900/48.26	2.015/51.18		POLYESTER	A-4, 10, 12, 18	30u" / .76u Au		
-017	2X25	.230/5.84	2.400/60.96	2.515/63.88			NO			
-018	2X25	.280/7.11	2.400/60.96	2.515/63.88						
-019	2x12	.280/7.11	1.100/27.94	1.215/30.86						
-020	2x4	.230/5.84	.300/7.62	.415/10.54						
-021	2x4	.280/7.11	.300/7.62	.415/10.54	.09/2.29	POLYESTER	NO	30u" / .76u Au		
-022	DISCONTINUED									
-023	2x17	.230/5.84	1.600/40.64	1.715/43.56	.09/2.29	POLYESTER	B-14	15u" / .38u Au		
-024	2x8	.230/5.84	.700/17.78	.815/20.70	.09/2.29		NO	150u" / 3.81u 93/7 Sn/Pb		
-025	2x12	.280/7.11	1.100/27.94	1.215/30.86	.15/3.81		NO	30u" / .76u Au		
-026	2x8	.280/7.11	.700/17.78	.815/20.70	.09/2.29		NO	30u" / .76u Au		
-027	2x5	.230/5.84	.400/10.160	.515/13.08			B-1, 2, 3, 4, 5	30u" / .76u Au		
-028	2X5		.400/10.160	.515/13.08			NO	15u" / .38u Au		
-029	2X9		.800/20.320	.915/23.24	.09/2.29			15u" / .38u Au		
-030	2X20	.230/5.84	1.900/48.26	2.015/51.18	.15/3.81			30u" / .76u Au		
-031	2X20	.280/7.11	1.900/48.26	2.015/51.18	.09/2.29			30u" / .76u GXT P/Ni		
-032	2X10	.280/7.11	.900/22.86	1.015/25.78	.09/2.29		NO	30u" / .76u GXT P/Ni		
65820-033	2X20	.280/7.11	1.900/48.26	2.015/51.18	.09/2.29	POLYESTER	A-4, 10, 12, 18	30u" / .76u GXT P/Ni	NO	

mat'l. code				tolerances unless otherwise specified				CUSTOMER COPY		<b>FCI</b> www.fciconnect.com	
ltr	ecn no	dr	date	linear	.XX±.01/.X±.3			projection	title		
N					.XXX±.005/.XX±.13				SHIELDLESS RIGHT ANGLE HEADER		
					.XXX±.0020/.XXX±.051				product family HEADERS code		
				angles	0° ±2'			INCH/MM	size		213
				dr	M CLOUSER	8-17-87	scale		A		65820
				engr	R FROST	8-17-87					2 of
				chr	R FROST	8-17-87					
				appd	R FROST	8-17-87					
sheet index	revision sheet										

1 | 2

3 |

4

PRODUCT NO.	SIZE	DIM A	DIM B	DIM C	DIM D	MOLD MAT'L NOTE 3	POLARIZED NOTE 7	TERMINAL PLATING NOTE 2	POLARIZED SPECIAL NOTE 10	LF OPTION
65820-034	2x9	.330/8.38	.800/20.32	.915/23.24	.14/3.56	NYLON	B-2	50u' /1.27u Au	NO	
65820-035	2x17	.280/7.11	1.600/40.64	1.715/43.56	.15/3.81	POLYESTER	NO	30u' / .76u Au	NO	NOTE 11
65820-036	2x25	.230/5.84	2.400/60.96	2.515/63.88	.09/2.3	POLYESTER		30u' / .76u Au	A-1, 2, 3 B-1, 2, 3	
65820-037	2x4	.230/5.84	.300/7.62	.415/10.54	.09/2.3	POLYESTER	NO	150u' /3.81u 93/7 Sn/Pb	NO	

Tous droits strictement reserves. Reproduction ou communication a des tiers interdite sous quelque forme que ce soit sans autorisation ecrite du proprietaire. Propriete de c FCI. Droits de reproduction FCI.



All rights strictly reserved. Reproduction or issue to third parties in any form whatever is not permitted without written authority from the proprietor. Property of FCI. Copyright FCI.

A

A

B

B

1 | 2

3 |

4

mat'l. code				tolerances unless otherwise specified				CUSTOMER COPY		 www.fciconnect.com	
ltr	ecn no	dr	date	linear	.XX±.01/.X±.3			projection	title		
N					.XXX±.005/.XX±.13				SHIELDLESS RIGHT ANGLE HEADER		
					.XXX±.0020/.XXX±.051				product family HEADERS code		
				angles	0° ±2°			 INCH/MM	size		213
				dr	M CLOUSER	8-17-87	scale		A		65820
				enr	R FROST	8-17-87		3 of			
				chr	R FROST	8-17-87					
				appd	R FROST	8-17-87					
sheet index	revision sheet										

ACAD

PDM: Rev:N

STATUS: Released

cage code  
22526

Printed: Nov 06, 2006